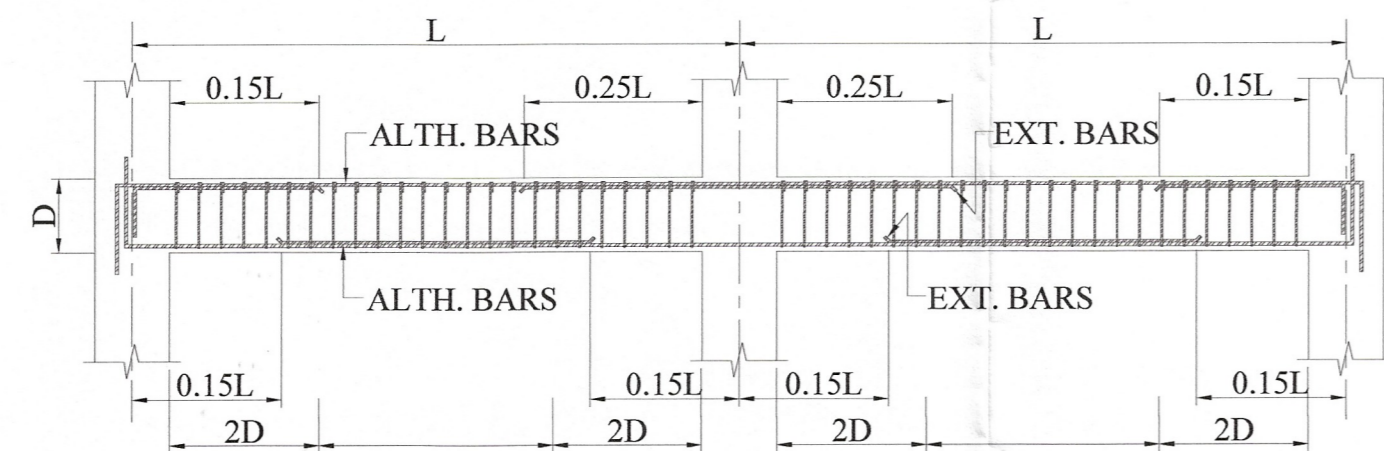
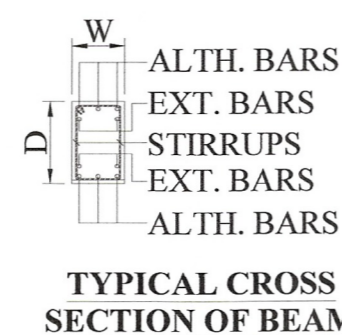


PLINTH BEAM LAYOUT PLAN
SCALE:- 1:75



TYPICAL LONG SECTION OF BEAM



TYPICAL CROSS SECTION OF BEAM

PLINTH BEAM REINFORCEMENT SCHEDULE

BEAM MKD.	SECTION (mm)	AT SUPPORT		AT MIDSPAN		STIRRUP	
		TOP	BOTTOM	TOP	BOTTOM	AT SUPPORT	AT MIDSPAN
PB1	250x500	3 NOS. 20 \oplus (ALTH.) 2 NOS. 25 \oplus (EXT.)	3 NOS. 20 \oplus (ALTH.)	3 NOS. 20 \oplus (ALTH.)	3 NOS. 20 \oplus (ALTH.) 2 NOS. 25 \oplus (EXT.)	2L-8 \oplus @ 100 C/C	2L-8 \oplus @ 150 C/C
PB2	250x500	3 NOS. 20 \oplus (ALTH.)	3 NOS. 20 \oplus (ALTH.)	3 NOS. 20 \oplus (ALTH.)	3 NOS. 20 \oplus (ALTH.)	2L-8 \oplus @ 100 C/C	2L-8 \oplus @ 150 C/C
PB3	250x500	3 NOS. 16 \oplus (ALTH.)	3 NOS. 16 \oplus (ALTH.)	3 NOS. 16 \oplus (ALTH.)	3 NOS. 16 \oplus (ALTH.)	2L-8 \oplus @ 100 C/C	2L-8 \oplus @ 150 C/C

VETTED

Dipesh Majumdar

Dr. Dipesh Majumdar
B.E., M.E. (Structure), Ph.D.
Assistant Professor
Department of Construction Engineering
Jadavpur University

NOTE:-

- THIS DRAWING SHOULD BE READ IN CONJUNCTION WITH DRG. NO.- 2023/REALTECH/G-4/STR/2
- THIS DRAWING IS TO BE READ ALONG WITH ALL RELEVANT ARCHITECTURAL DRAWING.
- ALL DIMENSIONS ARE IN MM. AND LEVELS ARE IN METER. UNLESS MENTIONED OTHERWISE.
- NO DIMENSIONS SHALL BE SCALED OUT. ONLY FIGURED DIMENSIONS ARE TO BE TAKEN.
- GRADE OF CONCRETE IS M25 AS PER IS:456-2000
- GRADE OF REINFORCEMENT IS Fe500 (TMT BAR) CONFORMING TO I.S. 1786-2008
- CLEAR COVER TO REINFORCEMENT FOR
(i) BEAM-25 MM.
(ii) SLAB-20 MM.
- LAP/DEVELOPMENT LENGTH 50D (WHERE D = DIA OF THE BAR) LAP ARE TO BE PLACED IN STAGGERED MANNER AND NOT MORE THAN 50% OF BARS SHALL BE LAPPED/SPliced AT ANY SECTION.
- ANY AMBIGUITY IN THE DRAWING SHOULD BE IMMEDIATELY BROUGHT TO THE NOTICE OF THE CONSULTANT BEFORE COMMENCING THE WORK.
- ALL MATERIALS SHALL CONFORM TO RELEVANT I.S. CODES.

CERTIFICATE OF THE ARCHITECT

I CERTIFY THAT ALL THE ARCHITECTURAL DRAWING OF THE PROJECT AT DAG NOS:699,700,701,702,LR. KHATIAN NOS: 1305,1306,1307,144 & 544 OF MOUZA KALIKAPUR,JL. NO. 40 HAVE BEEN PREPARED BY ME COMPLYING WITH THE NEW TOWN KOLKATA PLANNING AREA (BUILDING) RULES, 2014. I ALSO CERTIFY THAT THE PLANS AND DRAWINGS PREPARED BY ME COMPLYING WITH ALL THE PROVISIONS REGARDING THE FIRE PROTECTION AS PER THE PREVAILING NATIONAL BUILDING CODE OF INDIA. I SHALL BE HELD RESPONSIBLE IF ANY INCORRECT INFORMATION IF FURNISHED BY ME OR ANY VIOLATION OF PROVISIONS OF THESE RULES OR THE PREVAILING NATIONAL BUILDING CODE IS FOUND IN ANY OF THE DRAWING AND DOCUMENTS, SIGNED BY ME AND SUBMITTED TO THE SANCTIONING AUTHORITY FOR OBTAINING SANCTION.

AR. MOURAV CHATTERJEE
Mourav Chatterjee
(A/CHRNKDA/10/02/252)
(CA/2013/60568)

NAME / SIGNATURE OF ARCHITECT

CERTIFICATE OF THE STRUCTURAL ENGINEER/CIVIL ENGINEER

CERTIFIED THAT THE STRUCTURAL DRAWING AND DESIGN OF BOTH THE FOUNDATION AND SUPERSTRUCTURE OF THE BUILDING HAS BEEN MADE CONSIDERING THE SOIL TEST REPORT, AS PER THE RULES AND REGULATIONS MADE UNDER THE ACT AND ALSO CONSIDERING ALL POSSIBLE LOADS, SEISMIC LOAD AND THE MOMENTS GENERATED BY THE PROPOSED STRUCTURE AS PER THE BUREAU OF INDIAN STANDARD AND NATIONAL BUILDING CODE OF INDIA AND CERTIFIED THAT IT IS SAFE AND STABLE IN RESPECT AND THESE PROVISIONS SHALL BE ADHERED TO DURING THE CONSTRUCTION.

Abhinav Dhar

Abhinav Dhar
Structural Engineer
M. Tech (Struct), B. Tech (Civil)
Reg. Under NKDA
STER/NKDA/10/00121
CVER/NKDA/10/00177

NAME/SIGN OF CIVIL ENGINEER

CERTIFICATE OF THE STRUCTURAL ENGINEER/CIVIL ENGINEER

CERTIFIED THAT THE STRUCTURAL DRAWING AND DESIGN OF BOTH THE FOUNDATION AND SUPERSTRUCTURE OF THE BUILDING HAS BEEN MADE CONSIDERING THE SOIL TEST REPORT, AS PER THE RULES AND REGULATIONS MADE UNDER THE ACT AND ALSO CONSIDERING ALL POSSIBLE LOADS, SEISMIC LOAD AND THE MOMENTS GENERATED BY THE PROPOSED STRUCTURE AS PER THE BUREAU OF INDIAN STANDARD AND NATIONAL BUILDING CODE OF INDIA AND CERTIFIED THAT IT IS SAFE AND STABLE IN RESPECT AND THESE PROVISIONS SHALL BE ADHERED TO DURING THE CONSTRUCTION.

NAME/SIGN OF CIVIL ENGINEER

CERTIFICATE OF GEO-TECHNICAL ENGINEER

THIS IS TO CERTIFY THAT THE SOIL TEST HAS BEEN PERFORMED BY ME TO THIS PROJECT.

Shyam Sundar Kundu
Shyam Sundar Kundu
B.C.E. (I.U.), M.I.G.S.
Empanelled Geotechnical Engineer
Kolkata Municipal Corporation
Class-II, Reg. No. II/19

NAME/SIGN OF GEO-TECHNICAL ENGINEER

CERTIFICATE OF OWNER

CERTIFIED THAT I HAVE GONE THROUGH THE NATIONAL BUILDING CODE OF INDIA AND ALSO ABIDE BY THOSE RULES DURING AND AFTER CONSTRUCTION OF THE BUILDING.

VINAYAK REALTECH PROPERTIES LLP
Vinayak
Partner
SIGNATURE OF OWNERS

DATE	REV. NO.	REVISIONS	CHK. BY.	APPR. BY.

PROJECT :
PROPOSED G-4 STORIED RESIDENTIAL BUILDING PLAN OF VINAYAK REALTECH PROPERTIES LLP, SITUATED AT MOUZA: KALIKAPUR, JL. NO: 40, RS/LR DAG NOS: 699,700,701,702, LR KHATIAN NOS: 1305,1306,1307,158,544, POLICE STATION: RAJARHAT, DISTRICT: NORTH 24 PGS. UNDER PATHARGHATA GRAM PANCHAYET.

NAME	DATE	TITLE :	SCALE AS SHOWN
DSGN. D.MAJUMDAR		GENERAL ARRANGEMENT & R.C. DETAILS OF PLINTH BEAM	DATE 21.06.2023
DRG. NO.	2023/REALTECH/G-4/STR/03		SIZE REV. A1 0
RELEASED FOR	<input type="checkbox"/> PRELIMINARY <input type="checkbox"/> TENDER <input type="checkbox"/> INFORMATION <input checked="" type="checkbox"/> APPROVAL <input type="checkbox"/> CONSTRUCTION		
DRAWING STATUS	<input type="checkbox"/> ARCHITECTURAL <input checked="" type="checkbox"/> STRUCTURAL <input type="checkbox"/> ELECTRICAL <input type="checkbox"/> PLUMBING		